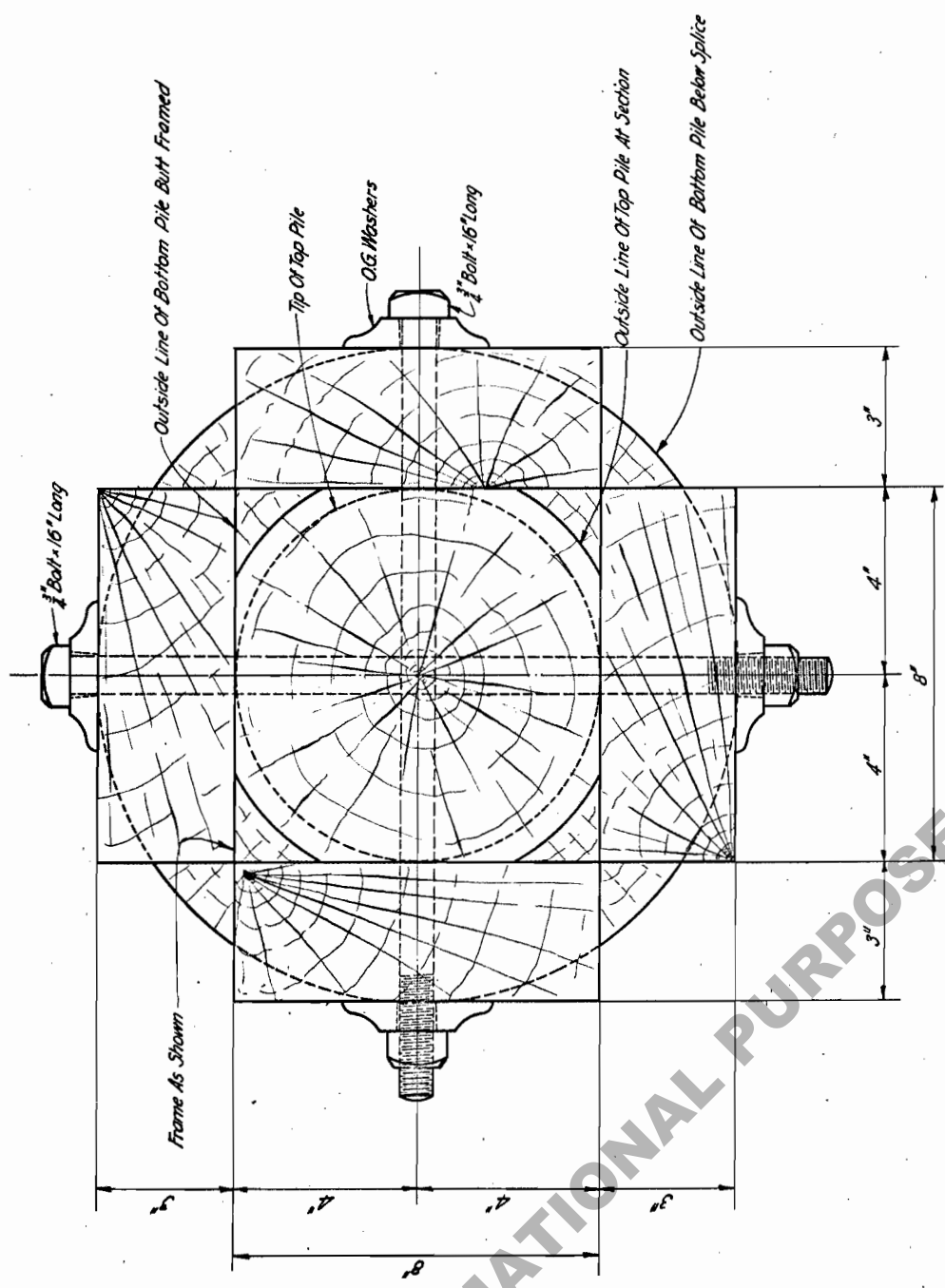


STANDARD
TIMBER PILE SPLICE
LOUISIANA HIGHWAY COMMISSION
BATON ROUGE, LA.

Date: September 1926

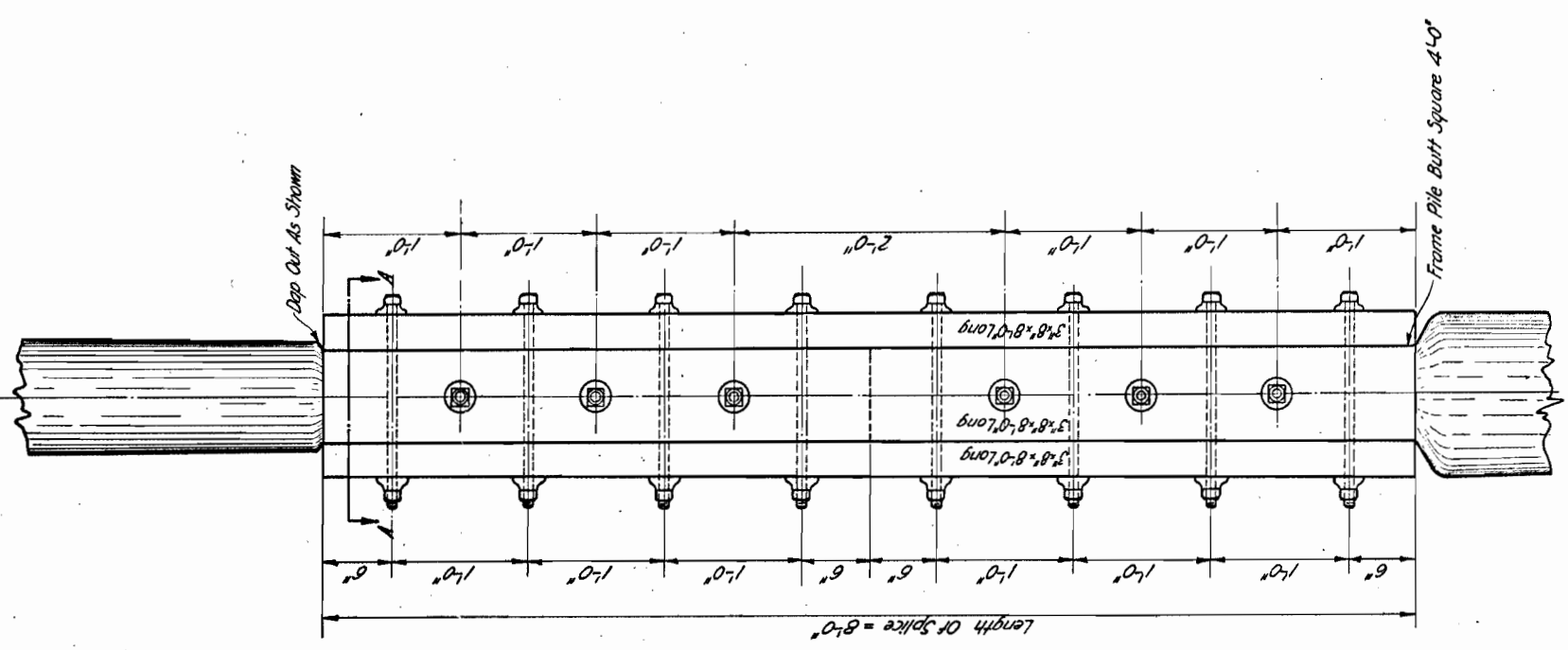
Scale: As Noted

Submitted *W. B. Smith*
Bridge Engineer
Met: Approved As Standard By D.A.R.
November 22, 1926



SECTION "A-A"
Scale 6" = 1'-0"

BILL OF MATERIAL				
No.	Size	Length	Description	Quantity
4	3"x8"	8'-0"	Cross Timber Plates	64 F.B.M.
14	3/4"	16"	Bolts	33 lbs.
28	3/4"		O.G. Cast Washers	21 lbs.



ELEVATION
Scale 1/2" = 1'-0"

FOR INFORMATIONAL PURPOSES ONLY